

**HWR Series Wear-Resistant Pumps**

# SC86S20L9-HWR



## PERFORMANCE

Bare shaft, frame-mounted, heavy duty, solids handling pump

Size	8" x 6" (200 x 150 mm)
Flow, Max	4875 gpm 1120 m <sup>3</sup> /hr 308 l/s
Head, Max	625 feet (190 meters)
Flow at BEP	3250 gpm 750 m <sup>3</sup> /hr 40 l/s
Efficiency at BEP	72%
Operating Speed, Max	2000 rpm
Suction Connection	8" (200 mm) 150 ANSI Flanges
Delivery Connection	6" (150 mm) 150 ANSI Flanges
Bearing Lubrication	Oil STD Grease optional
Fasteners	Imperial

## APPLICATIONS

Light Slurry	Fly Ash
Manure	Mining
PosiValve™ Patent #6,783,730	

## HWR Series Wear-Resistant Pumps

Pioneer Pump® HWR Series Wear-Resistant Pumps are manufactured with high-chrome white iron to maximize resistance against destructive abrasives and maintain peak performance longer in light slurry and manure applications.

## FEATURES AND BENEFITS

Durable Materials of Construction	Manufactured with high-chrome white iron to maximize wear resistance against destructive abrasives.
Added Peace of Mind	Oversized bearing shafts and cassette seals and thick casting walls resist unnecessary wear to allow for maximum pumping uptime.
Simplified Serviceability	Axial-style wear ring design allows for external adjustment, eliminating downtime associated with removing or replacing liners.
Continuous Pumping	Engineered to provide continuous operation for agitating liquid manure, which is more profitable than skimming.
Application Flexibility	Available in packaged configurations designed and assembled to offer various priming, hybrid, and other mechanical options to meet nearly any application need.

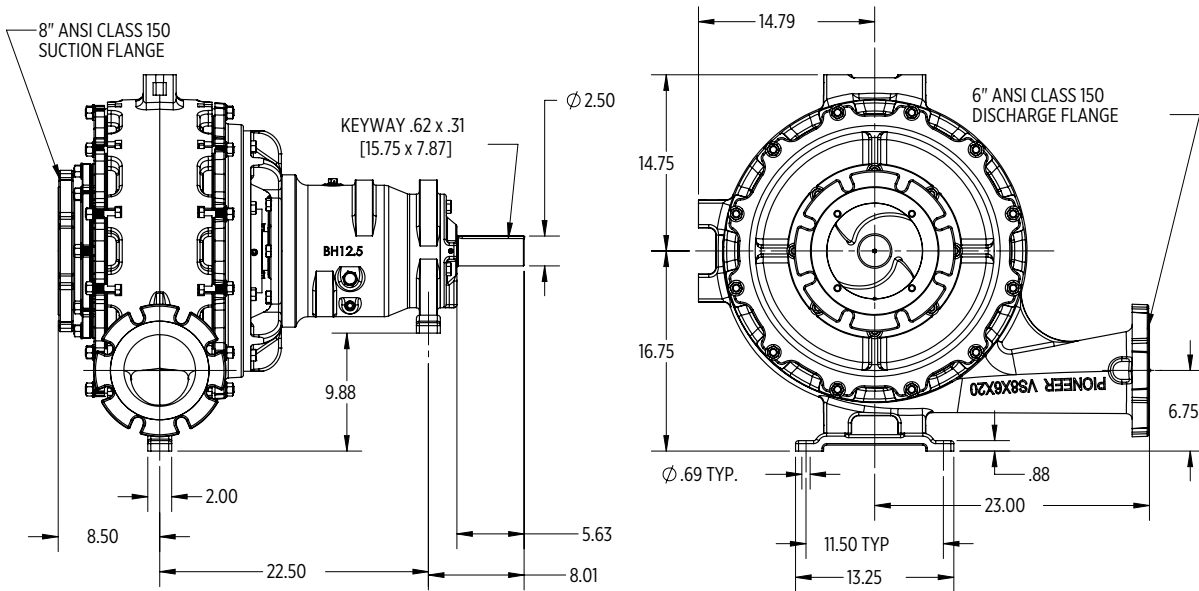
## SPECIFICATIONS

Mechanical Seal	Single type seal w/ tungsten carbide vs. silicon carbide seal faces, Viton elastomers, 300 series stainless steel hardware and spring (run dry option available)
Pump End Bearing	Single Row Ball
Drive End Bearing	Double Row Angular Contact
Shaft	17-4 PH Stainless Steel

## MATERIALS OF CONSTRUCTION

Feature	Full Chrome Option	Feature	Full Chrome Option
Suction Spool	Ductile Iron	Backplate	Chrome Iron
Suction Cover	Chrome Iron	Bracket	Ductile Iron
Wear Rings	Chrome Iron	Shaft	17-4 SS
Impeller	Chrome Iron	Mechanical Seal	Tungsten vs. Silicon Carbide
Volute	Chrome Iron	O-Rings	FKM

## MECHANICAL DIMENSIONS



Note: Bottom Horizontal volute discharge position shown. Other options available.

## PERFORMANCE CURVE

Model: SC86S20

Impeller Dia: 20"

Solids Size: 3"

Curve # 12181HQ

